



Kraus & Naimer

DISCREPANCY SWITCH

Protection	Protection	Protection	Protection
Tripp 150,51,67, 514,517,591	Tripp 150,51,67, 514,517,591	Tripp 150,51,67, 514,517,591	Tripp 150,51,67, 514,517,591



Mounting *FS2 (S00)



Mounting *FT2 (S0)



Mounting *FS1 (S00)



Mounting *E (S00)
Mosaic



Mounting *FT7 (S0)



Mounting *EL1 (S1)

- **3 Frame Size Available, optional device**
 - S1 – Q100/A
 - S0 – Q120/F
 - S00 – Q100B
- **Fitted with LED lamp, voltage available**
 - 24VDC
 - 130VDC
 - 220VDC
- **Push activated auxiliary contact available**
 - S1 size : Fit up to 8 number NO/NC
 - S0 size : Fit up to 2 number NO/NC
 - S00 Size : Not available
- **Discrepancy switch Size S00**
 - Mosaic Mounting “E”
 - Central lamp test

Rated Thermal Current $I_{th}/I_{th}/I_{the}$		A	10	20	25
Rated Insulation Voltage U_j 1		V	440	690	690
Rated Impulse Withstand Voltage U_{imp}		kV	4	6	6
Rated Operational Current I_e					
AC-21A	Switching of resistive loads, including moderate overloads	A	10	20	25
AC-15	Switching of control devices, contactors, valves etc.	110 V-240 V 380 V-440 V	2.5 1.5	5.0 4.0	8.0 5.0
Rated Operational Current I_e (DC)		NO OF CONTACT IN SERIES		1	2
DC-21A	Switching of resistive loads, including moderate overloads	24V		16	16
		120 V	A	6.0	13
		220 V		0.9	6.0
DC-22A	Switching of combined resistive or low inductive loads including moderate overloads	24V		14	14
		120 V	A	1.9	12
		220 V		0.3	1.9
DC-23A	Frequent switching of motors or other high inductive loads	24V		13	13
		120 V	A	1.5	10
		220 V		0.2	1.5
DC-13	Switching of control devices, Electromagnet	24V		3.0	6.0
		120 V	A	0.7	1.4
		220 V		0.15	0.7
Short Circuit Protection					
Max. fuse size		gL/gG-characteristic	A	10	25
Rated short-time withstand current		(1 s-current)	A	60	140
Max. Permissible Wire Gage - copper wires only				2 x	
Single-core or stranded wire / flexible			mm ²	1.5	2.5

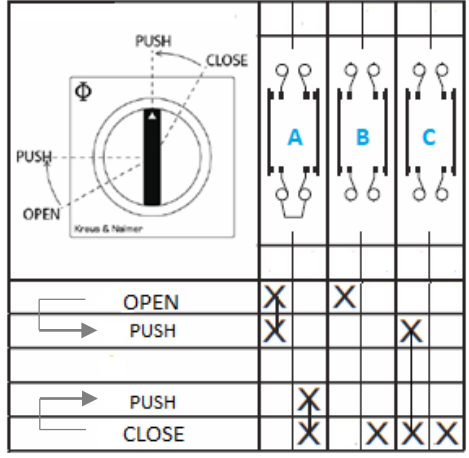
Ambient Temperature of Stages : open at 100 % I_{th}/I_{th} 55 °C during 24 hours with peaks up to 60 °C
 enclosed at 100 % I_{the} 35 °C during 24 hours with peaks up to 40 °C

Storage temperature: -40 °C to 85 °C (in case of temperature below -5 °C no shock load permissible)

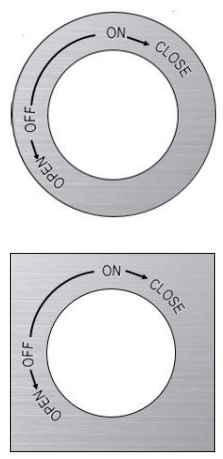
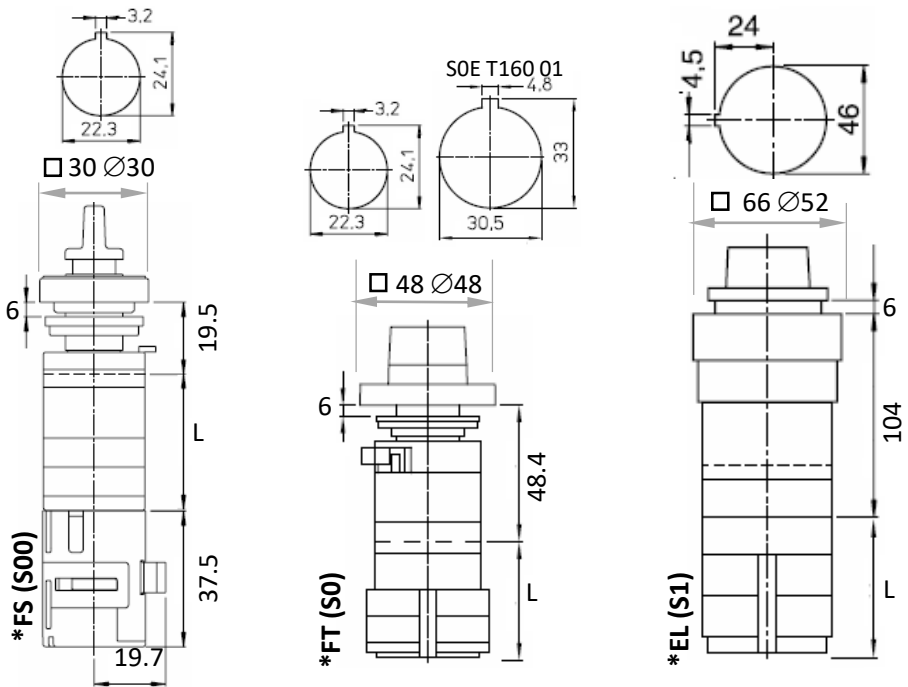
Valid for lines with grounded common neutral termination, overvoltage category III, Other values on request.

HOW TO ORDER

SWITCH TYPE	CODE	NO OF CONTACT			MOUNTING		LAMP VOLTAGE
		A	B	C	FRAME		
CA10	SGO	2	2	0	*FT	2	SIS 0240
		Max. 2					110V
		Max. 5			Refer page 1		130V 220V



SWITCH TYPE		NO OF STAGES L (mm)					LEGEND (mm)	
RATING	MOUNT	1	2	3	4	5	H	D
CG4 (S00)	*FS	38.5	50.5	62.5	74.5	86.5	30	45
CA10 (S0)	*FT	33.5	43	52.5	62	71.5	39	60
CA20B (S1)	*EL	37.7	50.4	63.1	75.8	87.5	46	70



Kraus & Naimer Pte Ltd
 email : sales-sg@Krausnaimer.com
 115A Commonwealth Drive
 #03-17/23 Singapore 149596
 Tel: (65) 64738166