

# PRODUKT KATALOG

KRAUS & NAIMER AB, NORGE



## INNHold

<b>SIDE</b>	<b>INNHold</b>
<a href="#">3</a>	Kambrytere 1 hull montering
<a href="#">6</a>	Kambrytere 5 hulls montering
<a href="#">10</a>	Brytere for påvegg og innfelt montering
<a href="#">11</a>	Kambrytere for DIN skinnemontering
<a href="#">12</a>	Solcellebrytere
<a href="#">14</a>	Nøkkalbrytere
<a href="#">15</a>	Hovedbrytere for DIN skinnemontering
<a href="#">16</a>	Sikkerhetsbrytere innfelt og bunnmontert
<a href="#">18</a>	Sikkerhetsbrytere kapslet
<a href="#">19</a>	Sikkerhetsbrytere kapslet EMC
<a href="#">21</a>	Nett-/Aggregatvendere DIN-skinne montert
<a href="#">22</a>	Nett-/Aggregatvendere bunnmontert med dørkopling
<a href="#">23</a>	Nett-/Aggregatvendere innfelt

## Kraus &amp; Naimer brytere og vendere, 1 hulls innfelt montasje

EL. NR.	TYPE	VARENR	AC21A
1445906	Kambryter O-A-AB 1P/10A 1H	CG4 A310-600 FS2	10A
1445907	Kambryter O-A-AB-ABC 1P/10A 1H	CG4 A311-600 FS2	10A
1445910	Kambryter Prov-O-DRI 1P/10A 1H	CG4 A320-600 FS2	10A
1445911	Kambryter Prov-O-DRI 2P/10A 1H	CG4 A321-600 FS2	10A
1445916	Kambryter/Dreieretn.3P/10A 1H	CG4 A401-600 FS2	10A
1445918	Kambryter Y/D-vender 10A 1H	CG4 A410-600 FS2	10A
1445920	Kambryter O-1-St+1NO 2P/10A 1H	CG4 A425-600 FS2	10A
1445923	Kambryter dahlan. O-1-2 10A 1H	CG4 A440-600 FS2	10A
1445924	Kambryter/dahlan. 1-0-2 10A 1H	CG4 A441-600 FS2	10A
1445931	Kambryter 1-0-2 2P/10A 1H innf	CG4 A711-600 FS2	10A
1445932	Kambryter 1-0-2 3P/10A 1H innf	CG4 A712-600 FS2	10A
1446028	Kambryter AMP 2P/10A 1H innf.	CG4 A038-600 FS2	10A
1446029	Kambryter AMP 1P/10A 1H innf.	CG4 A048-600 FS2	10A
1446032	Kambryter VOLTM F-F 3P/10A 1H	CG4 A004-624 FS2	10A
1446033	Kambryter VOLTM 3P/10A 1H innf	CG4 A007-624 FS2	10A
1446037	Kambryter O-START 1P/10A 1H	CG4 A175-600 FS2	10A
1446038	Kambryter STOP-O-STA 1P/10A 1H	CG4 A176-600 FS2	10A
1446040	Kambryter O-1-START 1P/10A 1H	CG4 A178-600 FS2	10A
1446045	Kambryter O-1 1P/10A 1H Innf.	CG4 A200-600 FS2	10A
1446046	Kambryter O-1 2P/10A 1H innf.	CG4 A201-600 FS2	10A
1446047	Kambryter O-1 3P/10A 1H Innf.	CG4 A202-600 FS2	10A
1446048	Kambryter O-1 4P/10A 1H Innf.	CG4 A203-600 FS2	10A
1446055	Kambryter 1-0-2 1P/10A 1H Innf	CG4 A210-600 FS2	10A
1446056	Kambryter 1-0-2 2P/10A 1H Innf	CG4 A211-600 FS2	10A
1446057	Kambryter 1-0-2 3P/10A 1H Innf	CG4 A212-600 FS2	10A
1446060	Kambryter 1i-0-2i 1P/10A 1H	CG4 A214-600 FS2	10A
1446061	Kambryter 1i-0-2i 2P/10A 1H	CG4 A215-600 FS2	10A
1446062	Kambryter 1i-0-2i 3P/10A 1H	CG4 A216-600 FS2	10A
1446065	Kambryter 1-2 1P/10A 1H innf	CG4 A220-600 FS2	10A
1446066	Kambryter 1-2 2P/10A 1H innf.	CG4 A221-600 FS2	10A
1446067	Kambryter 1-2 3P/10A 1H innf.	CG4 A222-600 FS2	10A
1446070	Kambryter 1-2-3 1P/10A 1H innf	CG4 A230-600 FS2	10A
1446071	Kambryter 1-4 1P/10A 1H innf	CG4 A231-600 FS2	10A
1446072	Kambryter 1-5 1P/10A 1H innf	CG4 A232-600 FS2	10A
1446073	Kambryter 1-6 1P/10A 1H innf	CG4 A233-600 FS2	10A
1446080	Kambryter O-1-2 1P/10A 1H innf	CG4 A240-600 FS2	10A
1446081	Kambryter O-3 1P/10A 1H innf.	CG4 A241-600 FS2	10A
1446082	Kambryter O-4 1P/10A 1H innf.	CG4 A242-600 FS2	10A



## Kraus & Naimer brytere og vendere, 1 hulls innfelt montasje

EL. NR.	TYPE	VARENDR	AC21A
1446083	Kambryter 0-5 1P/10A 1H innf.	CG4 A243-600 FS2	10A
1446084	Kambryter 0-6 1P/10A 1H innf.	CG4 A244-600 FS2	10A
1446090	Kambryter 1-3 2P/10A 1H innf.	CG4 A250-600 FS2	10A
1446091	Kambryter 1-4 2P/10A 1H innf.	CG4 A251-600 FS2	10A
1446092	Kambryter 1-5 2P/10A 1H innf.	CG4 A252-600 FS2	10A
1446093	Kambryter 0-1-2 2P/10A 1H innf.	CG4 A260-600 FS2	10A
1446094	Kambryter 0-3 2P/10A 1H innf.	CG4 A261-600 FS2	10A
1446096	Kambryter 1-2-3 3P/10A 1H innf.	CG4 A270-600 FS2	10A
1446097	Kambryter 1-4 3P/10A 1H innf.	CG4 A271-600 FS2	10A
1446098	Kambryter 0-1-2 3P/10A 1H innf.	CG4 A280-600 FS2	10A
1446099	Kambryter 0-3 3P/10A 1H innf.	CG4 A281-600 FS2	10A
1429049	Kambryter 1-2 4P/20A 1H LÅS	CG8 A223-600 FT2 NOS0002	20A
1455101	Kambryter VOLTM F-F 3P/20A 1H	CG8 A004-624 FT2	20A
1455104	Kambryter AMP 2P/20A 1H innf.	CG8 A038-600 FT2	20A
1455105	Kambryter AMP 1P/20A 1H innf.	CG8 A048-600 FT2	20A
1455107	Kambryter 0-START 1P/20A 1H	CG8 A175-600 FT2	20A
1455108	Kambryter STOP-0-STA 1P/20A 1H	CG8 A176-600 FT2	20A
1455110	Kambryter 0-1-START 1P/20A 1H	CG8 A178-600 FT2	20A
1455111	Kambryter 0-1 1P/20A 1H innf.	CG8 A200-600 FT2	20A
1455112	Kambryter 0-1 2P/20A 1H innf.	CG8 A201-600 FT2	20A
1455113	Kambryter 0-1 3P/20A 1H innf.	CG8 A202-600 FT2	20A
1455114	Kambryter 0-1 4P/20A 1H innf.	CG8 A203-600 FT2	20A
1455119	Kambryter 1-0-2 1P/20A 1H innf.	CG8 A210-600 FT2	20A
1455120	Kambryter 1-0-2 2P/20A 1H innf.	CG8 A211-600 FT2	20A
1455121	Kambryter 1-0-2 3P/20A 1H innf.	CG8 A212-600 FT2	20A
1455122	Kambryter 1i-0-2i 1P/20A 1H	CG8 A214-600 FT2	20A
1455123	Kambryter 1i-0-2i 2P/20A 1H	CG8 A215-600 FT2	20A
1455124	Kambryter 1i-0-2i 3P/20A 1H	CG8 A216-600 FT2	20A
1455125	Kambryter 1-2 1P/20A 1H innf.	CG8 A220-600 FT2	20A
1455126	Kambryter 1-2 2P/20A 1H innf.	CG8 A221-600 FT2	20A
1455127	Kambryter 1-2 3P/20A 1H innf.	CG8 A222-600 FT2	20A
1455128	Kambryter 1-2-3 1P/20A 1H innf.	CG8 A230-600 FT2	20A
1455129	Kambryter 1-4 1P/20A 1H innf.	CG8 A231-600 FT2	20A
1455130	Kambryter 1-5 1P/20A 1H innf.	CG8 A232-600 FT2	20A
1455131	Kambryter 1-6 1P/20A 1H innf.	CG8 A233-600 FT2	20A
1455138	Kambryter 0-1-2 1P/20A 1H innf.	CG8 A240-600 FT2	20A
1455139	Kambryter 0-3 1P/20A 1H innf.	CG8 A241-600 FT2	20A
1455140	Kambryter 0-4 1P/20A 1H innf.	CG8 A242-600 FT2	20A



## Kraus & Naimer brytere og vendere, 1 hulls innfelt montasje

EL. NR.	TYPE	VARENDR	AC21A
1455141	Kambryter 0-5 1P/20A 1H innf.	CG8 A243-600 FT2	20A
1455142	Kambryter 0-6 1P/20A 1H innf.	CG8 A244-600 FT2	20A
1455147	Kambryter 1-4 2P/20A 1H innf.	CG8 A251-600 FT2	20A
1455148	Kambryter 0-3 2P/20A 1H Innf	CG8 A261-600 FT2	20A
1455150	Kambryter 1-2-3 3P/20A 1H innf	CG8 A270-600 FT2	20A
1455151	Kambryter 0-1-2 3P/20A 1H innf	CG8 A280-600 FT2	20A
1455153	Kambryter 0-A-AB-ABC 1P/20A 1H	CG8 A311-600 FT2	20A
1455155	Kambryter/Dreieretn.3P/20A 1H	CG8 A401-600 FT2	20A
1455156	Kambryter Y/D-vender 20A 1H	CG8 A410-600 FT2	20A
1455157	Kambryter 0-1-St+1NO 2P/20A 1H	CG8 A425-600 FT2	20A
1455159	Kambryter dahlan. 0-1-2 20A 1H	CG8 A440-600 FT2	20A
1455160	Kambryter/dahlan. 1-0-2 20A 1H	CG8 A441-600 FT2	20A
1455162	Kambryter 1-2 4P/20A 1H innf.	CG8 A223-600 FT2	20A
1455163	Kambryter 1-0-2 4P/20A 1H innf	CG8 A213-600 FT2	20A
1457107	Kambryter Prov-0-DRI 1P/20A 1H	CG8 A320-600 FT2	20A
1458066	Kambryter 1-4 3P/20A 1H innf.	CG8 A271-600 FT2	20A
1458134	Kambryter 1-3 2P/20A 1H innf.	CG8 A250-600 FT2	20A
1458136	Kambryter 1-5 2P/20A 1H innf	CG8 A252-600 FT2	20A
1458138	Kambryter 0-1-2 2P/20A 1H Innf	CG8 A260-600 FT2	20A
1455000	Kambryter VOLTM F-F 3P/25A 1H	CH16 A004-624 FT2	25A
1455001	Kambryter AMP 2P/25A 1H innf.	CH16 A038-600 FT2	25A
1455002	Kambryter AMP 1P/25A 1H innf.	CH16 A048-600 FT2	25A
1455004	Kambryter 0-START 1P/25A 1H	CH16 A175-600 FT2	25A
1455005	Kambryter STOP-0-STA 1P/25A 1H	CH16 A176-600 FT2	25A
1455007	Kambryter 0-1 2P/25A 1H innf.	CH16 A201-600 FT2	25A
1455008	Kambryter 0-1 3P/20A 1H Innf.	CH16 A202-600 FT2	25A



## Kraus & Naimer brytere og vendere, 5 hulls innfelt montasje

EL. NR.	TYPE	VARENØR	AC21A
1457001	Kambryter VOLTM F-F 3P/10A 5H	CG4 A004-624 E	10A
1457003	Kambryter VOLTM 3P/10A 5H innf	CG4 A007-624 E	10A
1457012	Kambryter AMP 2P/10A 5H innf.	CG4 A038-600 E	10A
1457014	Kambryter AMP 1P/10A 5H innf.	CG4 A048-600 E	10A
1457021	Kambryter 0-START 1P/10A 5H	CG4 A175-600 E	10A
1457022	Kambryter STOP-0-STA 1P/10A 5H	CG4 A176-600 E	10A
1457024	Kambryter 0-1-START 1P/10A 5H	CG4 A178-600 E	10A
1457030	Kambryter 0-1 1P/10A 5H Innf.	CG4 A200-600 E	10A
1457031	Kambryter 0-1 2P/10A 5H Innf.	CG4 A201-600 E	10A
1457032	Kambryter 0-1 3P/10A 5H Innf.	CG4 A202-600 E	10A
1457033	Kambryter 0-1 4P/10A 5H Innf.	CG4 A203-600 E	10A
1457040	Kambryter 1-0-2 1P/10A 5H innf	CG4 A210-600 E	10A
1457041	Kambryter 1-0-2 2P/10A 5H innf	CG4 A211-600 E	10A
1457042	Kambryter 1-0-2 3P/10A 5H innf	CG4 A212-600 E	10A
1457045	Kambryter 1i-0-2i 1P/10A 5H	CG4 A214-600 E	10A
1457046	Kambryter 1i-0-2i 2P/10A 5H	CG4 A215-600 E	10A
1457047	Kambryter 1i-0-2i 3P/10A 5H	CG4 A216-600 E	10A
1457050	Kambryter 1-2 1P/10A 5H innf.	CG4 A220-600 E	10A
1457051	Kambryter 1-2 2P/10A 5H innf.	CG4 A221-600 E	10A
1457052	Kambryter 1-2 3P/10A 5H innf.	CG4 A222-600 E	10A
1457055	Kambryter 1-2-3 1P/10A 5H innf	CG4 A230-600 E	10A
1457056	Kambryter 1-4 1P/10A 5H innf	CG4 A231-600 E	10A
1457057	Kambryter 1-5 1P/10A 5H innf	CG4 A232-600 E	10A
1457058	Kambryter 1-6 1P/10A 5H innf	CG4 A233-600 E	10A
1457065	Kambryter 0-1-2 1P/10A 5H innf	CG4 A240-600 E	10A
1457066	Kambryter 0-3 1P/10A 5H innf.	CG4 A241-600 E	10A
1457067	Kambryter 0-4 1P/10A 5H innf	CG4 A242-600 E	10A
1457068	Kambryter 0-5 1P/10A 5H innf	CG4 A243-600 E	10A
1457069	Kambryter 0-6 1P/10A 5H innf	CG4 A244-600 E	10A
1457075	Kambryter 1-3 2P/10A 5H innf.	CG4 A250-600 E	10A
1457076	Kambryter 1-4 2P/10A 5H innf.	CG4 A251-600 E	10A
1457077	Kambryter 1-5 2P/10A 5H innf	CG4 A252-600 E	10A
1457078	Kambryter 0-1-2 2P/10A 5H innf	CG4 A260-600 E	10A
1457079	Kambryter 0-3 2P/10A 5H innf	CG4 A261-600 E	10A
1457081	Kambryter 1-2-3 3P/10A 5H innf	CG4 A270-600 E	10A
1457082	Kambryter 1-4 3P/10A 5H innf.	CG4 A271-600 E	10A
1457083	Kambryter 0-1-2 3P/10A 5H innf	CG4 A280-600 E	10A
1457084	Kambryter 0-3 3P/10A 5H innf.	CG4 A281-600 E	10A



## Kraus &amp; Naimer brytere og vendere, 5 hulls innfelt montasje

EL. NR.	TYPE	VARENR	AC21A
1457101	Kambryter O-A-AB 1P/10A 5H	CG4 A310-600 E	10A
1457102	Kambryter O-A-AB-ABC 1P/10A 5H	CG4 A311-600 E	10A
1457105	Kambryter Prov-O-DRI 1P/10A 5H	CG4 A320-600 E	10A
1457106	Kambryter Prov-O-DRI 2P/10A 5H	CG4 A321-600 E	10A
1457115	Kambryter/Dreieretn.3P/10A 5H	CG4 A401-600 E	10A
1457116	Kambryter Y/D-vender 10A 5H	CG4 A410-600 E	10A
1457120	Kambryter O-1-St+1NO 2P/10A 5H	CG4 A425-600 E	10A
1457125	Kambryter dahlan. 0-1-2 10A 5H	CG4 A440-600 E	10A
1457126	Kambryter/dahlan. 1-0-2 10A 5H	CG4 A441-600 E	10A
1470521	Kambryter BINÆR 0-7 1P/10A 5H	CG4-1 A540-600 E	10A
1457402	Kambryter VOLTM 3P/20A 5H innf	CG8 A007-624 E	20A
1457405	Kambryter AMP 1P/20A 3 trafoer	CG8 A048-600 E	20A
1457409	Kambryter O-START 1P/20A 5H	CG8 A175-600 E	20A
1457410	Kambryter STOP-O-STA 1P/20A 5H	CG8 A176-600 E	20A
1457412	Kambryter O-1-START 1P/20A 5H	CG8 A178-600 E	20A
1457415	Kambryter O-1 1P/20A 5H Innf.	CG8 A200-600 E	20A
1457416	Kambryter O-1 2P/20A 5H Innf.	CG8 A201-600 E	20A
1457417	Kambryter O-1 3P/20A 5H Innf.	CG8 A202-600 E	20A
1457418	Kambryter O-1 4P/25A 5H Innf.	CG8 A203-600 E	20A
1457423	Kambryter 1-0-2 1P/20A 5H innf	CG8 A210-600 E	20A
1457424	Kambryter 1-0-2 2P/20A 5H innf	CG8 A211-600 E	20A
1457425	Kambryter 1-0-2 3P/20A 5H innf	CG8 A212-600 E	20A
1457481	Kambryter 1-0-2 4P/20A 5H innf	CG8 A213-600 E	20A
1457426	Kambryter 1i-0-2i 1P/20A 5H	CG8 A214-600 E	20A
1457429	Kambryter 1-2 1P/20A 5H innf.	CG8 A220-600 E	20A
1457430	Kambryter 1-2 2P/20A 5H innf.	CG8 A221-600 E	20A
1457431	Kambryter 1-2 3P/20A 5H innf.	CG8 A222-600 E	20A
1457480	Kambryter 1-2 4P/20A 5H innf.	CG8 A223-600 E	20A
1457432	Kambryter 1-2-3 1P/20A 5H innf	CG8 A230-600 E	20A
1457433	Kambryter 1-4 1P/20A 5H innf	CG8 A231-600 E	20A
1457442	Kambryter O-1-2 1P/20A 5H innf	CG8 A240-600 E	20A
1457443	Kambryter O-3 1P/20A 5H innf.	CG8 A241-600 E	20A
1457444	Kambryter O-4 1P/20A 5H innf	CG8 A242-600 E	20A
1458133	Kambryter 1-3 2P/20A 5H innf.	CG8 A250-600 E	20A
1457453	Kambryter 1-4 2P/20A 5H innf.	CG8 A251-600 E	20A
1458137	Kambryter O-1-2 2P/20A 5H innf	CG8 A260-600 E	20A
1457456	Kambryter O-3 2P/20A 1H innf	CG8 A261-600 E	20A
1457458	Kambryter 1-2-3 3P/20A 5H innf	CG8 A270-600 E	20A



## Kraus & Naimer brytere og vendere, 5 hulls innfelt montasje

EL. NR.	TYPE	VARENØR	AC21A
1458065	Kambryter 1-4 3P/20A 5H innf.	CG8 A271-600 E	20A
1457460	Kambryter 0-1-2 3P/20A 5H innf	CG8 A280-600 E	20A
1470432	Kambryter 0-3 3P/20A 5H innf.	CG8 A281-600 E	20A
1457471	Kambryter/Dreieretn.3P/20A 5H	CG8 A401-600 E	20A
1457472	Kambryter Y/D-vender 20A 5H	CG8 A410-600 E	20A
1457475	Kambryter dahlan. 0-1-2 20A 5H	CG8 A440-600 E	20A
1457476	Kambryter/dahlan. 1-0-2 20A 5H	CG8 A441-600 E	20A
1446018	Kambryter VOLTM 3P/25A 5H innf	CA20 A007-624 EF	25A
1446025	Kambryter AMP 1P/25A 5H innf.	CA20 A048-600 E	25A
1444411	Kambryter 0-1 1P/25A 5H innf.	CA20 A200-600 E	25A
1444412	Kambryter 0-1 2P/25A 5H innf.	CA20 A201-600 E	25A
1444413	Kambryter 0-1 3P/25A 5H innf.	CA20 A202-600 E	25A
1445011	Kambryter 1-0-2 1P/25A 5H innf	CA20 A210-600 E	25A
1445012	Kambryter 1-0-2 2P/25A 5H innf	CA20 A211-600 E	25A
1445013	Kambryter 1-0-2 3P/25A 5H innf	CA20 A212-600 E	25A
1445611	Kambryter 1-2 1P/25A 5H innf.	CA20 A220-600 E	25A
1445612	Kambryter 1-2 2P/25A 5H innf.	CA20 A221-600 E	25A
1445613	Kambryter 1-2 3P/25A 5H innf.	CA20 A222-600 E	25A
1457166	Kambryter/Dreieretn.3P/25A 5H	CA20 A401-600 E	25A
1457142	Kambryter Y/D-vender 25A 5H	CA20 A410-600 E	25A
1457211	Kambryter dahlan. 0-1-2 25A 5H	CA20 A440-600 E	25A
1457217	Kambryter/dahlan. 1-0-2 25A 5H	CA20 A441-600 E	25A
1458017	Kambryter 0-1 2P/32A 5H Innf.	CA25B A201-600 E	32A
1458018	Kambryter 0-1 3P/32A 5H/S/IP65	CA25B A202-600 E	32A
1458020	Kambryter 1-0-2 2P/32A 5H/S/IP	CA25B A211-600 E	32A
1458021	Kambryter 1-0-2 3P/32A 5H/S/IP	CA25B A212-600 E	32A
1458060	Kambryter 1-2 2P/32A 5H innf.	CA25 A221-600 E	32A
1458024	Kambryter 1-2 3P/32A 5H/S/IP65	CA25B A222-600 E	32A
1458031	Kambryter/Dreiere.3P/32A 5H/SF	CA25B A401-600 E	32A
1458030	Kambryter Y/D-vender 32A 5H/SF	CA25B A410-600 E	32A
1457246	Kambryter dahla 0-1-2 32A 5H/S	CA25B A440-600 E	32A
1457247	Kambryter/dahla 1-0-2 32A 5H/S	CA25B A441-600 E	32A





## Kraus &amp; Naimer brytere og vendere, 5 hulls innfelt montasje

EL. NR.	TYPE	VARENR	AC21A
1445018	Kambryter 1-0 2P/40A 5H innf	CA40 A201-600 E	40A
1445019	Kambryter 1-0 3P/40A 5H innf	CA40 A202-600 E	40A
1445026	Kambryter 1-0-2 2P/40A 5H innf	CA40 A211-600 E	40A
1445027	Kambryter 1-0-2 3P/40A 5H innf	CA40 A212-600 E	40A
1445032	Kambryter 1-2 2P/40A 5H innf.	CA40 A221-600 E	40A
1445033	Kambryter 1-2 3P/40A 5H innf.	CA40 A222-600 E	40A
1445055	Kambryter/Dreieretn.3P/40A 5H	CA40 A401-600 E	40A
1445048	Kambryter Y/D-vender 40A 5H	CA40 A410-600 E	40A
1445059	Kambryter/dahlan. 1-0-2 40A 5H	CA40 A441-600 E	40A
1445131	Kambryter 0-1 2P/63A 5H Innf.	CA63 A201-600 E	63A
1445132	Kambryter 0-1 3P/63A 5H innf.	CA63 A202-600 E	63A
1445137	Kambryter 1-0-2 2P/63A 5H innf	CA63 A211-600 E	63A
1445138	Kambryter 1-0-2 3P/63A 5H innf	CA63 A212-600 E	63A
1445146	Kambryter 1-2 2P/63A 5H innf.	CA63 A221-600 E	63A
1445147	Kambryter 1-2 3P/63A 5H innf.	CA63 A222-600 E	63A
1445169	Kambryter/Dreieretn.3P/63A 5H	CA63 A401-600 E	63A
1457146	Kambryter Y-Δ vender 3P/63A 5H	CA63 A410-600 E	63A
1445172	Kambryter/dahlan. 1-0-2 63A 5H	CA63 A441-600 E	63A
1457248	Kambryter 0-1 3P/100A 5H innf.	C80 A202-600 E	100A
1457251	Kambryter 1-0-2 3P/100A 5Hull	C80 A212-600 E	100A
1457254	Kambryter 1-2 3P/100A 5H innf.	C80 A222-600 E	100A
1457171	Kambryter/Dreieretn.3P/100A 5H	C80 A401-600 E	100A
1457147	Kambryter Y/D-vender 100A 5H	C80 A410-600 E	100A
1457249	Kambryter 0-1 3P/150A 5H innf.	C125 A202-600 E	150A
1457252	Kambryter 1-0-2 3P/150A 5Hull	C125 A212-600 E	150A
1457255	Kambryter 1-2 3P/150A 5H innf.	C125 A222-600 E	150A
1457172	Kambryter/Dreieretn.3P/150A 5H	C125 A401-600 E	150A
1457148	Kambryter Y/D-vender 150A 5H	C125 A410-600 E	150A
1457257	Kambryter dahla. 0-1-2 250A 5H	C125 A440-600 E	150A
1457258	Kambryter/dahlan 1-0-2 250A 5H	C125 A441-600 E	150A
1457250	Kambryter 0-1 3P/315A 5H innf.	C315 A202-600 E	315A
1457253	Kambryter 1-0-2 3P/315A 5Hull	C315 A212-600 E	315A
1457256	Kambryter 1-2 3P/315A 5H innf.	C315 A222-600 E	315A
1457173	Kambryter/Dreieretn.3P/315A 5H	C315 A401-600 E	315A
1457149	Kambryter Y/D-vender 315A 5H	C315 A410-600 E	315A



## Kraus & Naimer brytere kapslet utgave IP42, IP 65 på forespørsel

EL. NR.	TYPE	VARENDR	AC21A
1444501	Bryter 0-1 1P/20A IP42	CA10 A200 PN1	20A
1444502	Bryter 0-1 2P/20A IP42	CA10 A201 PN1	20A
1470088	Bryter 0-1 2P/20A IP42 større kapsling	CA11 A201 PN1	20A
1444503	Bryter 0-1 3P/20A IP42	CA10 A202 PN1	20A
1457185	Bryter 0-1 3P/20A LÅS IP42	CA10 A202 *PN1 NOS0001	20A
1445101	Bryter 1-0-2 1P/20A IP42	CA10 A210 PN1	20A
1445102	Bryter 1-0-2 2P/20A IP42	CA10 A211 PN1	20A
1445103	Bryter 1-0-2 3P/20A IP42	CA10 A212 PN1	20A
1445105	Markisebryter 2P/20A IP65	CA10 A215/N-A133 PF1	20A
1445701	Bryter 1-2 1P/20A IP42	CA10 A220 PN1	20A
1445702	Bryter 1-2 2P/20A IP42	CA10 A221 PN1	20A
1445703	Bryter 1-2 3P/20A IP42	CA10 A222 PN1	20A
1444521	Bryter 0-1 1P/25A IP42	CA20 A200 PN1	25A
1444512	Bryter 0-1 2P/25A IP42	CA20 A201 PN1	25A
1444513	Bryter 0-1 3P/25A IP42	CA20 A202 PN1	25A
1457186	Bryter 0-1 3P/25A LÅS IP42	CA20 A202 PN1 NOS0001	25A
1445112	Bryter 1-0-2 2P/25A IP42	CA20 A211 PN1	25A
1445113	Bryter 1-0-2 3P/32A IP42	CA20 A212 PN1	25A
1457151	Bryter Y/D vender 3P/25A IP42	CA20 A410 PN1	25A
1429008	VK Bryter for Elvestadrør 25A	CA20 C18100 PN1	25A



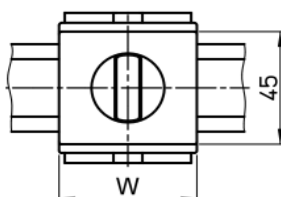
EL. NR.	TYPE	VARENDR	AC21A
1470089	Bryter 0-1 1P/20A innfelt	CA10 A200 UE1	20A
1470090	Bryter 0-1 2P/20A innfelt	CA10 A201 UE1	20A
1470091	Bryter 0-1 3P/20A innfelt	CA10 A202 UE1	20A
1470092	Bryter 0-1 1P/20A innfelt+lys	CA10 A200 UE2	20A
1470093	Bryter 0-1 2P/20A innfelt+lys	CA10 A201 UE2	20A
1470094	Bryter 0-1 3P/20A innfelt+lys	CA10 A202 UE2	20A



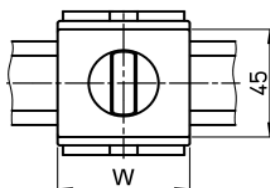
Spesial på forespørsel

## Kraus &amp; Naimer modulære brytere for DIN-skinnemontering

EL. NR.	TYPE	VARENR	AC21A
1445957	Kambryter 0-1 1P/10A DIN	CG4 A200 VE21V	10A
1445958	Kambryter 0-1 2P/10A DIN	CG4 A201 VE21V	10A
1445959	Kambryter 0-1 3P/10A DIN	CG4 A202 VE21V	10A
1445963	Kambryter 1-0-2 1P/10A DIN	CG4 A210 VE21V	10A
1445964	Kambryter 1-0-2 2P/10A DIN	CG4 A211 VE21V	10A
1445975	Kambryter MAN-0-AUT 2P/10A DIN	CG4 A211/N-A132 VE21V	10A
1445972	Kambryter 1-0-2 3P/25A DIN	CG4 A212 VE21V	10A
1445973	Kambryter 1-2 1P/10A DIN	CG4 A220 VE21V	10A
1445974	Kambryter 1-2 2P/10A DIN	CG4 A221 VE21V	10A
1445977	Kambryter 0-1-2 1P/10A DIN	CG4 A240 VE21V	10A
1445978	Kambryter 1-2-3 1P/10A DIN	CG4 A230 VE21V	10A


 $W = 35.5\text{mm} = 2 \text{ modul}$ 

EL. NR.	TYPE	VARENR	AC21A
1445927	Kambryter 0-1 1P/20A DIN	CG8 A200 VE21V	20A
1445928	Kambryter 0-1 2P/20A DIN	CG8 A201 VE21V	20A
1445929	Kambryter 0-1 3P/20A DIN	CG8 A202 VE21V	20A
1445936	Kambryter 1-0-2 1P/20A DIN	CG8 A210 VE21V	20A
1445937	Kambryter 1-0-2 2P/20A DIN	CG8 A211 VE21V	20A
1445940	Kambryter MAN-0-AUT 2P/20A DIN	CG8 A211/N-A132 VE21V	20A
1445938	Kambryter 1-0-2 3P/20A DIN	CG8 A212 VE21V	20A
1445939	Kambryter 1-2 1P/20A DIN	CG8 A220 VE21V	20A
1445943	Kambryter 1-2 2P/20A DIN	CG8 A221 VE21V	20A
1445944	Kambryter 0-1-2 1P/20A DIN	CG8 A240 VE21V	20A
1445952	Kambryter 1-2-3 1P/20A DIN	CG8 A230 VE21V	20A


 $W = 52.3\text{mm} = 3 \text{ modul}$

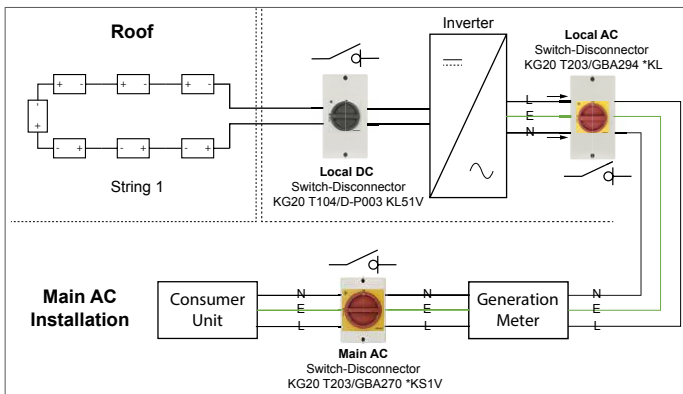
## Kraus & Naimer Solcelle/Photovoltaic brytere kapslet

EL. NR.	TYPE	VARENR	Dim. BxHxD mm
	<b>For enkel streng</b>		
1470056	DC bryter 450V/25A-920V/11A	KG20 T104/D-P003 KL51V	85x160x82
1470057	DC bryter 600V/25A-1000V/12A	KG32 T104/D-P003 KL51V	85x160x82
1470058	DC bryter 1000V/20A	KG32B T108/D-P003 KL11V	100x190x93
1470059	DC bryter 250V/50A-500V/30A	KGD40 TD102/D-P003 KL11V	100x190x93
1470060	DC bryter 375V/50A-1000V/20A	KGD40 TD103/D-P003 KL11V	100x190x93
1470061	DC bryter 400V/50A-1000V/30A	KGD40 TD104/D-P003 KL11V	100x190x93
1470062	DC bryter 600V/50A-1000V/40A	KGD40B TD106/D-P003 KL11V	145x250x93
1470063	DC bryter 1000V/50A	KGD40B TD108/D-P003 KL11V	145x250x93

EL. NR.	TYPE	VARENR	Dim. BxHxD mm
	<b>For dobbel streng</b>		
1470064	DC bryter 220V/25A - 460V/11A	KG20 T104/GB-P103 KL51V	85x160x82
1470065	DC bryter 220V/28A - 500V/12A	KG32 T104/GB-P103 KL51V	85x160x82
1470066	DC bryter 510V/25A - 690V/15A	KG32B T106/GB-P103 KL11V	100x190x91
1470067	DC bryter 680V/20A - 920V/11A	KG32B T108/GB-P103 KL11V	100x190x93
1470068	DC bryter 220V/50A - 1000V/8A	KGD40 TD104/D-P004 KL11V	100x190x93
1470069	DC bryter 280V/50A - 1000V/20A	KGD40B TD106/D-P004 KL11V	145x250x93
1470070	DC bryter 400V/50A - 1000V/30A	KGD40B TD108/D-P004 KL11V	145x250x93

EL. NR.	TYPE	VARENR	Dim. BxHxD mm
	<b>Med tripping funksjon, for montering i kapsling</b>	<b>1000V</b>	
1470071	Lastbryter M/trip PV-DC 2P 160A	84P02016	137x269x110
1470072	Lastbryter M/trip PV-DC 2P 250A	84P02025	137x269x110
1470073	Lastbryter M/trip PV-DC 2P 315A	84P02031	137x269x110
1470074	Lastbryter M/trip PV-DC 2P 400A	84P02040	157x405x110
1470075	Lastbryter M/trip PV-DC 2P 630A	84P02063	157x405x110
1470076	Lastbryter M/trip PV-DC 2P 800A	84P02080	157x405x110
1470077	Lastbryter M/trip PV-DC 3P 160A	84P03016	137x269x110
1470078	Lastbryter M/trip PV-DC 3P 250A	84P03025	137x269x110
1470079	Lastbryter M/trip PV-DC 3P 315A	84P03031	137x269x110

EL. NR.	Enkel streng	220V	240V	280V	320V	340V	400V	440V	460V	480V	510V	560V	600V	640V	660V	680V	690V	800V	880V	920V	1000V	
1470056	KG20 T104/D-P003 KL51V				25A		25A					21A				20A		18A		11A		
1470057	KG32 T104/D-P003 KL51V				32A		32A					28A				25A		23A		15A		
1470058	KG32B T108/D-P003 KL11V													32A					32A			
1470059	KG40 TD102/D-P003 KL11V				40A		40A			34A	30A				20A			12A			8A	
1470060	KG40 TD103/D-P003 KL11V		50A							40A		40A	40A				30A				20A	
1470061	KG40 TD104/D-P003 KL11V				50A									40A				40A			30A	
1470062	KG40B TD106/D-P003 KL11V															50A					40A	
1470063	KG40B TD108/D-P003 KL11V													50A							50A	
EL. NR.	Dobbel streng	220V	240V	280V	320V	340V	400V	440V	460V	480V	510V	560V	600V	640V	660V	680V	690V	800V	880V	920V	1000V	
1470064	KG20 T104/GB-P103 KL51V	25A		21A		20A	18A		11A													
1470065	KG32 T104/GB-P103 KL51V	32A		28A		25A	23A		15A													
1470066	KG32B T106/GB-P103 KL11V		32A								25A		23A				15A					
1470067	KG32B T108/GB-P103 KL11V				32A			32A				28A				25A		23A		15A		
1470068	KG40 TD104/D-P004 KL11V						40A			30A					17A							
1470069	KG40B TD106/D-P004 KL11V		50A							40A		40A	40A				30A					20A
1470070	KG40B TD108/D-P004 KL11V				50A									40A				40A				30A



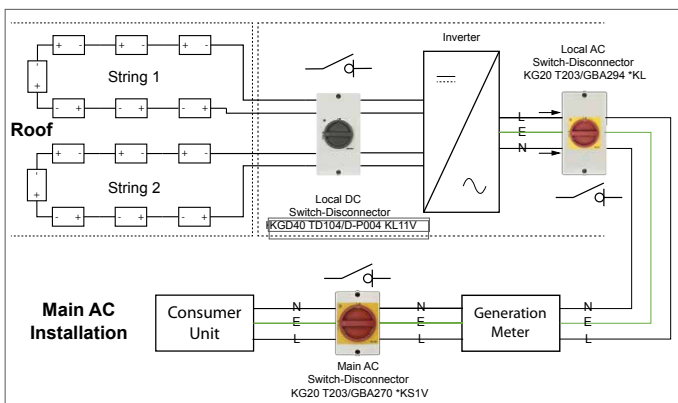
Example Systems - typical 3kW system  
1 string

**DC Selection Ratings**

Voltage =  $12 \times 37V \times 1.15 = 510.6V$   
Current =  $8.6A \times 1.25 = 10.75A$

Therefore the **KG20 T104/D-P003 KL51V** is suitably rated 20A at 600V, DC-21B.  
(DC switch selected from page 13)

Correction Factors	
For Voltage, Voc	1.15
For Current, Isc	1.25



Example Systems - typical 5kW system  
2 string

## Kraus & Naimer nøkkelbrytere i innbruddsikker alu. kapsling

EL. NR.	TYPE	VARENØR	AC21A
1457400	Nøkkelbryter 1i-0-2i 1P/20A st	NOS9 CA10 A214/ORION	20A
1457406	Nøkkelbryter 0-1i 1P/20A stål	NOS9 CA10 A795/ORION	20A
1457470	Nøkkelbryter 0-1 2P/20A stål	NOS9 CA10 A201/ORION	20A

For bytte av sylinder må kontinentallås 5506 benyttes



## Kapsling i aluminium for sylinderlås (Trioving/ASSA)

Leveres komplett uten låssylinder for påvegg montasje.  
Kan fås med valgfri bryterfunksjon 0-1, 1-4 pol eller 1-0-2, 1-2 pol monteres

		VARENØR
Nøkkelbryter Aluseal	1P/20A IP65	CA10 A200 Z NOS0023
Nøkkelbryter Aluseal	2P/20A IP65	CA10 A201 Z NOS0020
Nøkkelbryter Aluseal	1i-0-2i/20A IP65	CA10 A214 Z NOS0016
Nøkkelbryter Aluseal	1i/20A IP65	CA10 A795 Z NOS0007

Kapslingsklasse IP65

Mål BxHxD : 80x80x83/97 mm



## Kraus &amp; Naimer hovedbrytere for montering på 35mm DIN-skinne

EL. NR.	TYPE	VARENDR	AC21A	AC23A 230V/400V
<b>3 pol</b>				
1444678	Hovedbryter 3P/25A DIN	KG20A T303/S-A361 *VE2	25A	5,5/7,5 kW
1444679	Hovedbryter 3P/32A DIN	KG32A T303/S-A361 *VE2	32A	5,5/11 kW
1444687	Hovedbryter 3P/40A DIN	KG41 T303/S-A361 *VE2	40A	7,5/15 kW
1444688	Hovedbryter 3P/63A DIN	KG64 T303/S-A361 *VE2	63A	11/22 kW
1470095	Hovedbryter 3p/80A DIN	KG80 T303/58 VE2	80A	18,5/30 kW
1470096	Hovedbryter 3p/100A DIN	KG100 T303/58 VE2	100A	22/37 kW
1470097	Hovedbryter 3p/125A DIN	KG105 T303/58 VE2	125A	30/45 kW
1470098	Hovedbryter 3p/160A DIN	KG160 T303/S-A361 VE2	160A	30/55 kW
<b>4 pol</b>				
1444689	Hovedbryter 4P/25A DIN	KG20A T304/S-A423 *VE2	25A	5,5/7,5 kW
1444690	Hovedbryter 4P/32A DIN	KG32A T304/S-A423 *VE2	32A	5,5/11 kW
1444691	Hovedbryter 4P/40A DIN	KG41 T304/S-A423 *VE2	40A	7,5/15 kW
1444692	Hovedbryter 4P/63A DIN	KG64A T304/S-A423 *VE2	63A	11/22 kW
1470099	Hovedbryter 4p/80A DIN	KG80 T304/58 VE2	80A	18,5/30 kW
1470100	Hovedbryter 4p/100A DIN	KG100 T304/58 VE2	100A	22/37 kW
1470101	Hovedbryter 4p/125A DIN	KG105 T304/58 VE2	125A	30/45 kW
1470102	Hovedbryter 4p/160A DIN	KG160 T304/S-A423 *VE2	160A	30/55 kW



Mål	Modulbredde	Bredde 3 pol (mm)	Bredde 4 pol (mm)	Høyde (mm)	Dybde (mm)
KG20A, KG32A	2,5	42	56	54	56,5
KG41, KG64	3	50	66	64	56,5
KG80-105	4	70	92	80	65
KG160	6,5	112	150	108	98

## Kraus & Naimer sikkerhetsbrytere

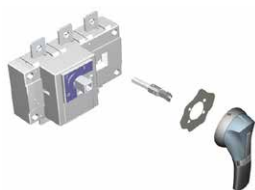
EL. NR.	TYPE	VARENR	AC21A	AC23A 230V/400V
	<b>Innfelt, 3 pol (1NO hj. kontakt)</b>			
1444600	Sikkerhetsbryter 3P/20A innf.	KG10B T203/17 E	20A	3/5,5 kW
1470776	Sikkerhetsbryter 3P/25A innf.	KG20B T203/17 E	25A	5,5/7,5 kW
1470777	Sikkerhetsbryter 3p/32A Innf.	KG32B T203/17 E	32A	5,5/11 kW
1470778	Sikkerhetsbryter 3p/40A Innf.	KG41B T203/17 E	40A	7,5/15 kW
1470779	Sikkerhetsbryter 3p/63A Innf.	KG64B T203/17 E	63A	11/22 kW
1470780	Sikkerhetsbryter 3p/80A Innf.	KG80 T203/17 E	80A	18,5/30 kW
1470781	Sikkerhetsbryter 3P/100A innf.	KG100 T203/17 E	100A	22/37 kW
1470782	Sikkerhetsbryter 3P/125A innf.	KG125 T203/17 E	125A	30/45 kW
1470783	Sikkerhetsbryter 3P/160A innf.	KG160 T203/17 E	160A	30/55 kW
	<b>Innfelt, 4 pol alle u/hj. kontakt</b>			
1430803	Sikkerhetsbryter 4P/20 innf.	KG10B T204/01 E	20A	3/5,5 kW
1430804	Sikkerhetsbryter 4P/25A innf.	KG20B T204/01 E	25A	5,5/7,5 kW
1430801	Sikkerhetsbryter 4P/32A innf.	KG32B T204/01 E	32A	5,5/11 kW
1430805	Sikkerhetsbryter 4P/40A innf.	KG41B T204/01 E	40A	7,5/15 kW
1430802	Sikkerhetsbryter 4P/63 innf.	KG64B T204/01 E	63A	11/22 kW
1430806	Sikkerhetsbryter 4P/80A innf.	KG80 T204/01 E	80A	18,5/30 kW
1470789	Sikkerhetsbryter 4p/100A innf.	KG100 T204/04 E	100A	22/37 kW
1444656	Sikkerhetsbryter 3P/125A innf.	KG125 T204/01 E	125A	30/45 kW
1444657	Sikkerhetsbryter 3P/160A innf.	KG160 T204/01 E	160A	30/55 kW
	<b>Bunnmontasje, 3 pol (1NO hj. kontakt)</b>			
1444658	Sikkerhetsbryter 3P/20A bunn.	KG10B T203/25 VE	20A	3/5,5 kW
1470790	Sikkerhetsbryter 3P/25A bunnm.	KG20B T203/25 VE	25A	5,5/7,5 kW
1444606	Sikkerhetsbryter 3P/32A bunn.	KG32B T203/25VE	32A	5,5/11 kW
1470431	Sikkerhetsbryter 3P/40A bunn.	KG41B T203/25 VE	40A	7,5/15 kW
1470791	Sikkerhetsbryter 3P/63A bunnm.	KG64B T203/25 VE	63A	11/22 kW
1444608	Sikkerhetsbryter 3P/80A bunn.	KG80 T203/25 VE	80A	18,5/30 kW
1444609	Sikkerhetsbryter 3P/100A bunn.	KG100 T203/25 VE	100A	22/37 kW
1444610	Sikkerhetsbryter 3P/125A bunn.	KG125 T203/25 VE	125A	30/45 kW
1444611	Sikkerhetsbryter 3P/160A bunn.	KG160 T203/25 VE	160A	30/55 kW
	<b>Bunnmontasje, 4 pol alle u/hj. kontakt</b>			
1470707	Sikkerhetsbryter 4P/20A bunnm.	KG10B T204/65 VE	20A	3/5,5 kW
1470708	Sikkerhetsbryter 4P/25A bunnm.	KG20B T204/65 VE	25A	5,5/7,5 kW
1470709	Sikkerhetsbryter 4P/32A bunnm.	KG32B T204/65 VE	32A	5,5/11 kW
1470710	Sikkerhetsbryter 4P/40A bunnm.	KG41B T204/65 VE	40A	7,5/15 kW
1470711	Sikkerhetsbryter 4P/63A bunnm.	KG64B T204/65 VE	63A	11/22 kW
1470712	Sikkerhetsbryter 4P/80A bunnm.	KG80 T204/65 VE	80A	18,5/30 kW
1470715	Sikkerhetsbryter 4P/100A bunnm	KG100 T204/65 VE	100A	22/37 kW
1470716	Sikkerhetsbryter 4P/125A bunnm	KG125 T204/65 VE	125A	30/45 kW
1470717	Sikkerhetsbryter 4P/160A bunnm	KG160 T204/65 VE	160A	30/55 kW
1470718	Sikkerhetsbryter 4P/250A bunnm	KG250 T204/65 VE	250A	37/90 kW
1470719	Sikkerhetsbryter 4P/315A bunnm	KG315 T204/65 VE	315A	55/110 kW





## Kraus &amp; Naimer KS bunnmontert. Hoved/sikkerhetsbryter med 1NO/1NC hj. kontakt

EL. NR.	TYPE	VARENR	AC21A	AC23A 400V
	<b>3 pol</b>			
1470000	Sikkerhetsbryter 3P/125A bunn.	KS125 T303 VE	125A	63 kW
1470001	Sikkerhetsbryter 3P/160A bunn.	KS160 T303 VE	160A	80 kW
1470002	Sikkerhetsbryter 3P/250A bunn.	KS250 T303 VE	250A	132 kW
1470003	Sikkerhetsbryter 3P/400A bunn.	KS400 T303 VE	400A	220 kW
1470004	Sikkerhetsbryter 3P/630A bunn.	KS630 T303 VE	630A	280 kW
1470005	Sikkerhetsbryter 3P/800A bunn.	KS800 T303 VE	800A	450 kW
1470006	Sikkerhetsbryter 3P/1250A bunn.	KS1250 T303 VE	1250	710 kW
	<b>4 pol</b>			
1470007	Sikkerhetsbryter 4P/125A bunn.	KS125 T304 VE	125A	63 kW
1470008	Sikkerhetsbryter 4P/160A bunn.	KS160 T304 VE	160A	80 kW
1470009	Sikkerhetsbryter 4P/250A bunn.	KS250 T304 VE	250A	132 kW
1470010	Sikkerhetsbryter 4P/400A bunn.	KS400 T304 VE	400A	220 kW
1470011	Sikkerhetsbryter 4P/630A bunn.	KS630 T304 VE	630A	280 kW
1470012	Sikkerhetsbryter 4P/800A bunn.	KS800 T304 VE	800A	450 kW
1470013	Sikkerhetsbryter 4P/1250A bunn.	KS1250 T304 VE	1250A	710 kW
	<b>6 pol</b>			
1470014	Sikkerhetsbryter 6P/125A bunn.	KS125 T306 VE	125A	63 kW
1470015	Sikkerhetsbryter 6P/160A bunn.	KS160 T306 VE	160A	80 kW
1470016	Sikkerhetsbryter 6P/250A bunn.	KS250 T306 VE	250A	132 kW
1470017	Sikkerhetsbryter 6P/400A bunn.	KS400 T306 VE	400A	220 kW
1470018	Sikkerhetsbryter 6P/630A bunn.	KS630 T306 VE	630A	280 kW
1470019	Sikkerhetsbryter 6P/800A bunn.	KS800 T306 VE	800A	450 kW



## Tilbehør til KS Brytere

EL. NR.	3 stk pr pakke		mm <sup>2</sup>
1470080	Klemmer AL/CU KS160 3 pol	NOS4 54003016	16-95
1470081	Klemmer AL/CU KS250 3 pol	NOS4 54003025	16-185
1470082	Klemmer AL/CU KS400 3 pol	NOS4 54003040	50-240
1470083	Klemmer AL/CU KS630 3 pol	NOS4 54003063	70-300
	<b>4 stk pr pakke</b>		<b>mm<sup>2</sup></b>
1470084	Klemmer AL/CU KS160 4 pol	NOS4 54004016	16-95
1470085	Klemmer AL/CU KS250 4 pol	NOS4 54004025	16-185
1470086	Klemmer AL/CU KS400 4 pol	NOS4 54004040	50-240
1470087	Klemmer AL/CU KS630 4 pol	NOS4 54004063	70-300

\*=u/hj. kontakt

## Kraus & Naimer sikkerhetsbrytere, kapslet, IP66/67 (1NO+1NC hj. kontakt)

EL. NR.	TYPE	VARENR	Dim. BxHxD mm	AC21A	AC23A 230V/400V
<b>3 pol IP66/67 1NO+1NC hj. kontakt</b>					
1445190	Sikkerhetsbryter 3P/20A IP67	KF20 T203/33* KT11V	85x130x65	20A	5,5/10 kW
1445191	Sikkerhetsbryter 3P/20A IP67	KF20 T203/40 KT11V	85x130x65	20A	5,5/10 kW
1445192	Sikkerhetsbryter 3P/25A IP67	KF25 T203/40 KT11V	85x130x65	25A	7/12 kW
1445193	Sikkerhetsbryter 3P/32A IP67	KF32 T203/40 KT11V	85x130x65	32A	9/16 kW
1470792	Sikkerhetsbryter 3P/25A IP67	KG20 T203/33* KS51V	85x120x90	25A	5,5/7,5 kW
1470793	Sikkerhetsbryter 3P/25A IP67	KG20 T203/40 KL51V	85x160x82	25A	5,5/7,5 kW
1470794	Sikkerhetsbryter 3P/32A IP67	KG32 T203/40 KL51V	85x160x82	32A	5,5/11 kW
1470049	Sikkerhetsbryter 3P/40A IP67	KG41 T203/40 KL71V	145x250x107	40A	7,5/15 kW
1470051	Sikkerhetsbryter 3P/63A IP67	KG64 T203/40 KL71V	145x250x107	63A	11/22 kW
1444614	Sikkerhetsbryter 3P/80A IP67	KG80 T203/40 KL71V	145x250x107	80A	18,5/30 kW
1470763	Sikkerhetsbryter 3P/100A IP67	KG100 T203/40 KL71V	145x250x107	100A	22/37 kW
1444637	Sikkerhetsbryter 3P/125A IP67	KG125 T203/43 STM NOS0001	280x380x180	125A	30/45 kW
1444638	Sikkerhetsbryter 3P/160A IP67	KG160 T203/43 STM NOS0001	280x380x180	160A	30/55 kW
1444639	Sikkerhetsbryter 3P/250A IP67	KG250 T203/N-A048 STM NOS0001	380x560x180	250A	37/90 kW
1444617	Sikkerhetsbryter 3P/315A IP67	KG315 T203/N-A048 STM	380x560x180	315A	55/110 kW
1470767	Sikkerhetsbryter 3P/315A IP67	C316 T203/46 STM	280x560x230	315A	75/132 kW
<b>4 pol IP66/67 1NO+1NC hj. kontakt</b>					
1470720	Sikkerhetsbryter 4P/20A IP67	KG10 T204/78 KS51	85x160x82	20A	3/5,5 kW
1470721	Sikkerhetsbryter 4P/25A IP67	KG20 T204/78 KL51	100x190x93	25A	5,5/7,5 kW
1470722	Sikkerhetsbryter 4P/32A IP67	KG32 T204/78 KL51	100x190x93	32A	5,5/11 kW
1470050	Sikkerhetsbryter 4P/40A IP67	KG41 T204/40 KL71V	145x250x107	40A	7,5/15 kW
1470052	Sikkerhetsbryter 4P/63A IP67	KG64 T204/40 KL71V	145x250x107	63A	11/22 kW
1470725	Sikkerhetsbryter 4P/80A IP67	KG80 T204/78 KL71	145x250x107	80A	18,5/30 kW
1444622	Sikkerhetsbryter 4P/100A IP67	KG100 T204/40 KL71V	145x250x107	100A	22/37 kW
1444640	Sikkerhetsbryter 4P/125A IP67	KG125 T204/43 STM	280x380x180	125A	30/45 kW
1444641	Sikkerhetsbryter 4P/160A IP67	KG160 T204/43 STM	280x380x180	160A	30/55 kW
1444642	Sikkerhetsbryter 4P/250A IP67	KG250 T204/48 STM	380x560x180	250A	37/90 kW
1444643	Sikkerhetsbryter 4P/315A IP67	KG315 T204/48 STM	380x560x180	315A	55/110 kW
1444627	Sikkerhetsbryter 4P/315A IP67	C316 T204/46 STM	280x560x230	315A	75/132 kW
<b>6 pol IP66/67 1NO+1NC hj. kontakt</b>					
1429087	Sikkerhetsbryter 6P/20A IP67	KG10 T206/33* KS51V	85x120x90	20A	3/5,5 kW
1429086	Sikkerhetsbryter 6P/20A IP67	KG10 T206/40 KS51V	85x120x90	20A	3/5,5 kW
1470769	Sikkerhetsbryter 6P/25A IP67	KG20B T206/40 KL11V	100x190x93	25A	5,5/7,5 kW
1444628	Sikkerhetsbryter 6P/32A IP67	KG32B T206/40 KL11V	100x190x93	32A	5,5/11 kW
1444629	Sikkerhetsbryter 6P/40A IP67	KG41B T206/40 KL71V	145x250x107	40A	7,5/15 kW
1444630	Sikkerhetsbryter 6P/63A IP67	KG64B T206/40 KL71V	145x250x107	63A	11/22 kW
1470797	Sikkerhetsbryter 6P/80A IP67	KG80C T206/41 STM	200x300x172	70A	18,5/30 kW
1444631	Sikkerhetsbryter 6P/80A IP67	KG100C T206/41 STM	200x300x172	80A	22/37 kW
1444632	Sikkerhetsbryter 6P/125A IP67	KG125 T206/91 STM	300x400x172	125A	30/45 kW
1444633	Sikkerhetsbryter 6P/160A IP67	KG160 T206/91 STM	300x400x172	160A	30/55 kW
1470799	Sikkerhetsbryter 6P/275A IP67	C316 T206/48 STM	380x560x280	275A	75/132 kW

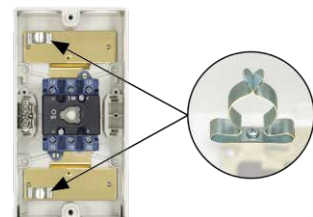


\*=u/hj. kontakt

## Kraus & Naimer EMC sikkerhetsbrytere

EL. NR.	TYPE	VARENDR	Dim. BxHxD mm	AC21A	AC23A 230V/400V
<b>3 pol IP66/67 1NO+1NC hj. kontakt</b>					
1457452	Sikkerhetsbryter 3P/20A EMC	KG10 T203/D-A076 KS51V	85x120x90	20A	3/5,5 kW
1457454	Sikkerhetsbryter 3P/25A EMC	KG20 T203/D-A159 KL51V	85x160x82	25A	5,5/7,5 kW
1457455	Sikkerhetsbryter 3P/32A EMC	KG32 T203/D-A117 KL51V	85x160x82	32A	5,5/11 kW
1470053	Sikkerhetsbryter 3P/40A EMC	KG41 T203/N-A100 KL71V	145x250x107	40A	7,5/15 kW
1470726	Sikkerhetsbryter 3P/63A EMC	KG64 T203/ N-A104 KL71V	145x250x107	63A	11/22 kW
1457462	Sikkerhetsbryter 3P/80A EMC	KG80 T203/D-A108 KL71V	145x250x107	80A	18,5/30 kW
1457464	Sikkerhetsbryter 3P/100A EMC	KG100 T203/D-A120 KL71V	145x250x107	100A	22/37 kW
1445182	Sikkerhetsbryter 3P/125A EMC	KG125 T203/D-A082 STM	280x560x180	125A	30/45 kW
1445183	Sikkerhetsbryter 3P/160A EMC	KG160 T203/D-A077 STM	280x560x180	160A	30/55 kW
1445184	Sikkerhetsbryter 3P/250A EMC	KG250 T203/D-A075 STM	280x560x180	250A	37/90 kW
1445185	Sikkerhetsbryter 3P/315A EMC	KG315 T203/D-A034 STM	280x560x180	315A	55/110 kW
<b>4 pol IP66/67 1NO hj. kontakt</b>					
1457465	Sikkerhetsbryter 4P/25A EMC	KG20 T204/ N-A100 KL11V	85x160x80	25A	5,5/7,5 kW
1457467	Sikkerhetsbryter 4P/32A EMC	KG32 T204/ N-A100 KL11V	85x160x80	32A	5,5/11 kW
1470054	Sikkerhetsbryter 4P/40A EMC	KG41 T204/N-A100 KL71V	145x250x107	40A	7,5/15 kW
1470055	Sikkerhetsbryter 4P/63A EMC	KG64 T204/N-A100 KL71V	145x250x107	63A	11/22 kW
1457477	Sikkerhetsbryter 4P/80A EMC	KG80 T204/ N-A100 KL71V	145x250x107	80A	18,5/30 kW
1457478	Sikkerhetsbryter 4P/100A EMC	KG100 T204/ N-A100 KL71V	145x250x107	100A	22/37 kW
1457615	Sikkerhetsbryter 4P/125A EMC	KG125 T204/ N-A100 STM	380x560x180	125A	30/45 kW
1457612	Sikkerhetsbryter 4P/160A EMC	KG160 T204/ N-A100 STM	380x560x180	160A	30/55 kW
1457613	Sikkerhetsbryter 4P/250A EMC	KG250 T204/ N-A100 STM	380x560x180	250A	37/90 kW
1457614	Sikkerhetsbryter 4P/315A EMC	KG315 T204/ N-A100 STM	380x560x180	315A	55/110 kW
<b>6 pol IP66/67 1NO+1NC hj. kontakt</b>					
	Sikkerhetsbryter 6P/25A EMC	KG20B T206/D-A059 KL11V	100x190x91	25A	5,5/7,5 kW
	Sikkerhetsbryter 6P/32A EMC	KG32B T206/D-A054 KL11V	100x190x91	32A	5,5/11 kW
	Sikkerhetsbryter 6P/40A EMC	KG41B T206/D-A052 KL71V	145x250x107	40A	7,5/15 kW
	Sikkerhetsbryter 6P/63A EMC	KG64B T206/D-A066 KL71V	145x250x107	63A	11/22 kW
	Sikkerhetsbryter 6P/80A EMC	KG80C T206/D-A070 STM	280x380x180	80A	18,5/30 kW
	Sikkerhetsbryter 6P/100A EMC	KG100C T206/D-A060 STM	280x380x180	100A	22/37 kW
	Sikkerhetsbryter 6P/125A EMC	KG125 T206/D-A020 STM	380x560x180	125A	30/45 kW
	Sikkerhetsbryter 6P/160A EMC	KG160 T206/D-A040 STM	380x560x180	160A	30/55 kW
<b>Nippelutslag 3 og 4 pol</b>					
	KG10 - KG32	4x20/25 mm	2x20mm		
	KG41 - KG100	4x40 mm	2x25mm		
	KG125 - KG315	4x63 + 2x20mm			

Brannklasse UL94 V-0



## Kraus & Naimer KS kapslet IP65 - Hoved/sikkerhetsbryter med 1NO/1NC hj. kontakt

EL. NR.	TYPE	VARENR	KAPSLING	AC21A	AC23A 400V
	<b>3 pol</b>				
1470026	Sikkerhetsbryter 3P/125A IP65	KS125 T303 ST	40x30x20	125A	63 kW
1470027	Sikkerhetsbryter 3P/160A IP65	KS160 T303 ST	40x30x20	160A	80 kW
1470028	Sikkerhetsbryter 3P/250A IP65	KS250 T303 ST	60x40x30	250A	132 kW
1470029	Sikkerhetsbryter 3P/400A IP65	KS400 T303 ST	80x60x30	400A	220 kW
1470030	Sikkerhetsbryter 3P/630A IP65	KS630 T303 ST	80x60x30	630A	280 kW
1470031	Sikkerhetsbryter 3P/800A IP65	KS800 T303 ST	100x60x30	800A	450 kW
1470032	Sikkerhetsbryter 3P/1250A IP65	KS1250 T303 ST	120x80x40	1250A	710 kW
	<b>4 pol</b>				
1470033	Sikkerhetsbryter 4p/125A IP65	KS125 T304 ST	40x30x20	125A	63 kW
1470034	Sikkerhetsbryter 4p/160A IP65	KS160 T304 ST	40x30x20	160A	80 kW
1470035	Sikkerhetsbryter 4p/250A IP65	KS250 T304 ST	60x40x30	250A	132 kW
1470036	Sikkerhetsbryter 4p/400A IP65	KS400 T304 ST	80x60x30	400A	220 kW
1470037	Sikkerhetsbryter 4p/630A IP65	KS630 T304 ST	80x60x30	630A	280 kW
1470038	Sikkerhetsbryter 4p/800A IP65	KS800 T304 ST	100x60x30	800A	450 kW
1470039	Sikkerhetsbryter 4p/1250A IP65	KS1250 T304 ST	120x80x40	1250A	710 kW
	<b>6 pol</b>				
1470040	Sikkerhetsbryter 6p/125A IP65	KS125 T306 ST	60x40x30	125A	63 kW
1470041	Sikkerhetsbryter 6p/160A IP65	KS160 T306 ST	60x40x30	160A	80 kW
1470042	Sikkerhetsbryter 6p/250A IP65	KS250 T306 ST	80x60x30	250A	132 kW
1470043	Sikkerhetsbryter 6p/400A IP65	KS400 T306 ST	120x80x40	400A	220 kW
1470044	Sikkerhetsbryter 6p/630A IP65	KS630 T306 ST	120x80x40	630A	280 kW



## Kraus &amp; Naimer nett/aggregatvendere for DIN skinne montasje

EL. NR.	TYPE	VARENR	AC21A	AC23A 230V/400V
	<b>2 pol</b>			
1470732	Nett-Aggregatvender 2P/20A DIN	CA10 A211 VE21 NOS0003	20 A	2,5/3,7 kW
1470733	Nett-Aggregatvender 2P/25A DIN	CA20 A211 VE21 NOS0005	25 A	3/5,5 kW
	<b>3 pol</b>			
1470734	Nett-Aggregatvender 3P/20A DIN	KG20B T903/S-A308 *VE	25 A	5,5/7,5 kW
1470735	Nett-Aggregatvender 3P/32A DIN	KG32B T903/S-A308 *VE	32 A	5,5/11 kW
1470736	Nett-Aggregatvender 3P/40A DIN	KG41B T903/S-A308 *VE	40 A	7,5/15 kW
1470737	Nett-Aggregatvender 3P/63A DIN	KG64B T903/S-A308 *VE	63 A	11/22 kW
1470738	Nett-Aggregatvender 3P/80A DIN	KG80 T903/S-A308 *VE	80 A	18,5/30 kW
1470739	Nett-Aggregatvend. 3P/100A DIN	KG100 T903/S-A308 *VE	100 A	22/37 kW
1470740	Nett-Aggregatvend. 3P/125A DIN	KG105 T903/S-A308 *VE	125 A	30/45 kW
	<b>4 pol</b>			
1470741	Nett-Aggregatvender 4P/20A DIN	KG20B T904/S-A421 *VE	25 A	5,5/7,5 kW
1470742	Nett-Aggregatvender 4P/32A DIN	KG32B T904/S-A421 *VE	32 A	5,5/11 kW
1470743	Nett-Aggregatvender 4P/40A DIN	KG41B T904/S-A421 *VE	40 A	7,5/15 kW
1470744	Nett-Aggregatvender 4P/63A DIN	KG64B T904/S-A421 *VE	63 A	11/22 kW
1470745	Nett-Aggregatvender 4P/80A DIN	KG80 T904/S-A421 *VE	80 A	18,5/30 kW
1470746	Nett-Aggregatvend. 4P/100A DIN	KG100 T904/S-A421 *VE	100 A	22/37 kW
1470747	Nett-Aggregatvend. 4P/125A DIN	KG105 T904/S-A421 *VE	125 A	30/45 kW

		Mål i mm - BxH	Modulbredde front
2 pol	CA10-CA20	53,3 x 45	3
3 pol	KG20B-KG32B	84 x 75	2,5
	KG41B-KG64B	100 x 92	3
	KG 80-KG105	140 x 185	4
4 pol	KG20B-KG32B	111 x 75	2,5
	KG41B-KG64B	132 x 92	3
	KG 80-KG105	184 x 185	4



## Kraus & Naimer nett/aggreatvendere bunnmontert

EL. NR.	TYPE	VARENR	AC21A	AC23A 230V/400V
	<b>3 pol</b>			
	Nett-Aggregatvender 3P/63A Bunnm	KG64B T903/N-A425 *VE	63 A	11/22 kW
	Nett-Aggregatvender 3P/80A Bunnm	KG80 T903/N-A425 *VE	80 A	18,5/30 kW
	Nett-Aggregatvender 3P/100A Bunnm	KG100 T903/N-A425 *VE	100 A	22/37 kW
	Nett-Aggregatvender 3P/125A Bunnm	KG125 T903/N-A425 *VE	125 A	30/45 kW
	Nett-Aggregatvender 3P/160A Bunnm	KG160 T903/N-A425 *VE	160 A	30/55 kW
	Nett-Aggregatvender 3P/315A Bunnm	C316 T903/N-A425 *VE	315 A	75/132 kW
	<b>4 pol</b>			
	Nett-Aggregatvender 4P/63A Bunnm	KG64B T904/N-A426 *VE	63 A	11/22 kW
	Nett-Aggregatvender 4P/80A Bunnm	KG80 T904/N-A426 *VE	80 A	18,5/30 kW
	Nett-Aggregatvender 4P/100A Bunnm	KG100 T904/N-A426 *VE	100 A	22/37 kW
	Nett-Aggregatvender 4P/125A Bunnm	KG125 T904/N-A426 *VE	125 A	30/45 kW
	Nett-Aggregatvender 4P/160A Bunnm	KG160 T904/N-A426 *VE	160 A	30/55 kW
	Nett-Aggregatvender 4P/315A Bunnm	C316 T904/N-A426 *VE	315 A	75/132 kW



EL. NR.	TYPE	VARENR	AC21A	AC23A 400V
	<b>4 pol</b>			
1470020	Nett/Agg.vender 4P/160A bunn.	KS160 T904 VE	160A	80
1470021	Nett/Agg.vender 4P/250A bunn.	KS250 T904 VE	250A	132
1470022	Nett/Agg.vender 4P/400A bunn.	KS400 T904 VE	400A	220
1470023	Nett/Agg.vender 4P/630A bunn.	KS630 T904 VE	630A	280
1470024	Nett/Agg.vender 4P/800A bunn.	KS800 T904 VE	800A	450
1470025	Nett/Agg.vender 4P/1250A bunn	KS1250 T904 VE	1250A	710



## Kraus &amp; Naimer nett/aggreatvendere kapslet IP65

EL. NR.	TYPE	VARENR	AC21A	AC23A 230/400V
	<b>2 pol</b>			
	Nett/Agg.vender 2P/20A IP65	CA10 A211 KS10 NOS0005	20 A	3,7/7,5 kW
	Nett/Agg.vender 2P/25A IP65	CA20 A211 KS10 NOS0001	25 A	5,5/11 kW
	<b>3 pol</b>			
1444670	Nett/Agg.vender 3P/25A IP65	KG20B T903/ N-A267 *ST	25 A	5,5/7,5 kW
1444671	Nett/Agg.vender 3P/40A IP65	KG41B T903/ N-A267 *ST	40 A	7,5/15 kW
1444672	Nett/Agg.vender 3P/63A IP65	KG64B T903/ N-A267 *ST	63 A	11/22 kW
1444673	Nett/Agg.vender 3P/80A IP65	KG80 T903/ N-A268 *ST	80 A	18,5/30 kW
1444674	Nett/Agg.vender 3P/100A IP65	KG100 T903/ N-A268 *ST	100 A	22/37 kW
1444675	Nett/Agg.vender 3P/125A IP65	KG125 T903/ N-A366 *ST	125 A	30/45 kW
1444676	Nett/Agg.vender 3P/160A IP65	KG160 T903/ N-A366 *ST	160 A	30/55 kW
	315 A på forespørsel			
	<b>4 pol</b>			
1444680	Nett/Agg.vender 4P/25A IP65	KG20B T904/ N-A420 *ST	25 A	5,5/7,5 kW
1444681	Nett/Agg.vender 4P/40A IP65	KG41B T904/ N-A420 *ST	40 A	7,5/15 kW
1444682	Nett/Agg.vender 4P/63A IP65	KG64B T904/ N-A420 *ST	63 A	11/22 kW
1444683	Nett/Agg.vender 4P/80A IP65	KG80 T904/ N-A420 *ST	80 A	18,5/30 kW
1444684	Nett/Agg.vender 4P/100A IP65	KG100 T904/ N-A420 *ST	100 A	22/37 kW
1444685	Nett/Agg.vender 4P/125A IP65	KG125 T904/ N-A420 *ST	125 A	30/45 kW
1444686	Nett/Agg.vender 4P/160A IP65	KG160 T904/ N-A420 *ST	160 A	30/55 kW

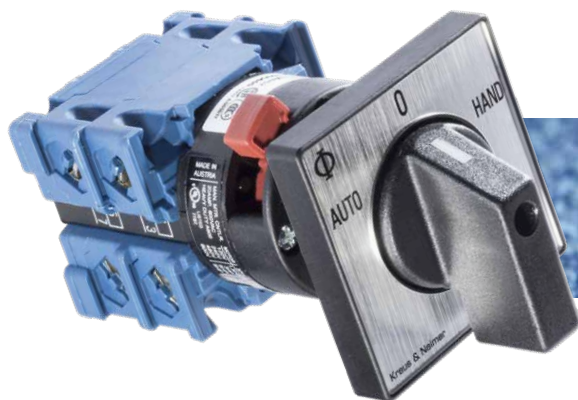
Alle 3 og 4 - pol har en sluttende hjelpekontakt i stilling RESERV-KRAFT resp. NÄT, og leveres med låsbar "0"-stilling.

Kapslings		Mål i mm - BxH
2-Pol	CA10	65x65x50
	CA20	82x82x85
3-Pol	KG20B-KG64B	280x190x130
	KG80-KG100	280x190x180
4-pol	KG20B	280x190x130
	KG41B-KG64B	280x280x130
	KG80-KG100	280x280x180
	KG125-KG160	560x380x180



Leveres standard låsbar i "0"-stilling.  
Kan leveres låsbar i alle stillinger.

EL. NR.	TYPE	VARENR	KAPSLING	AC21A	AC23A 400V
	<b>4 pol kapslet IP65</b>				
1470045	Nett/Agg.vender 4P/160A IP65	KS160 T904 ST	60x40x30	160A	80
1470046	Nett/Agg.vender 4P/250A IP65	KS250 T904 ST	80x60x30	250A	132
1470047	Nett/Agg.vender 4P/400A IP65	KS400 T904 ST	80x60x30	400A	220
1470048	Nett/Agg.vender 4P/630A IP65	KS630 T904 ST	120x80x40	630A	280



**Kraus & Naimer AB Avd. Norge**

Brobekkveien 80 Bygg 12  
0582 OSLO

T: +47 22 64 44 20  
E: [sales-no@krausnaimer.com](mailto:sales-no@krausnaimer.com)  
I: [www.krausnaimer.no](http://www.krausnaimer.no)

