



Kraus & Naimer

BLUE LINE switchgear

SRM RANGE

since 1907

OFF-ON ~ SWITCH-DISCONNECTORS

Switch socket combination in sloping roof enclosure



NEW

SRM Enclosed switch & socket unit

Sloping Roof Isolators
2 Pole, 3 Pole & 4 Pole



PRODUCT INFORMATION

- IP66 protection
- 3, 4 & 5 pin available
- With or without auxilliary contacts
- Voltages 230 & 400 50/60Hz
- 16Amp or 32Amp
- Brushed stainless steel enclosure, grade 304L
- The isolators are IEC 60947 compliant with handles that can be padlocked in the OFF position
- Available from stock
- The sockets are IEC 60309 compliant

Call: 01635 262626

or email: sales-uk@krausnaimer.com

OFF-ON ~ SWITCH-DISCONNECTORS



Switch socket combination in sloping roof enclosure

PART NUMBERS & PRICING INFORMATION

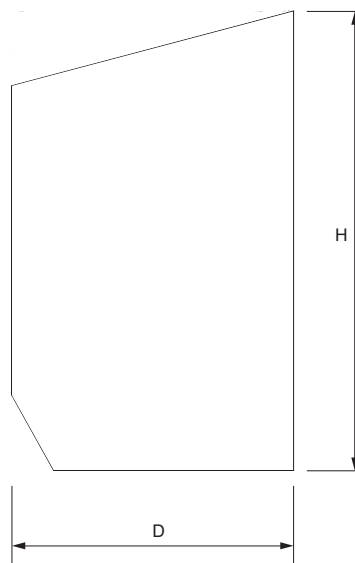
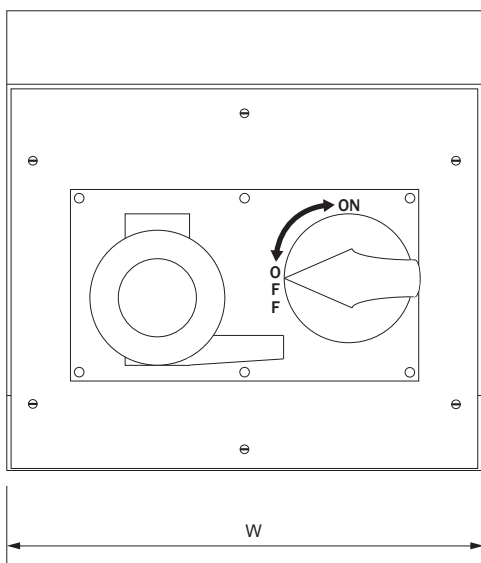
Without Auxiliaries

le AC-21A	Encl. Ref.	Outlet socket	2 Pole 230 V		Outlet socket	3 Pole 400 V		Outlet socket	4 Pole 400 V	
16A	SRM	2P + E	KH16 T202/GBA3P00 *SRM		3P + E	KH16 T203/GBA4P00 *SRM		4P + E	KH16 T204/GBA5P00 *SRM	
32A	SRM	2P + E	KH32 T202/GBA3P00 *SRM		3P + E	KH32 T203/GBA4P00 *SRM		4P + E	KH32 T204/GBA5P00 *SRM	

With Auxiliaries

le AC-21A	Encl. Ref.	Outlet socket	2 Pole (2 n.o.) 230 V		Outlet socket	3 Pole (2 n.o.) 400 V		Outlet socket	4 Pole (2 n.o.) 400 V	
16A	SRM	2P + E	KH16 T202/GBA3P00 *SRM		3P + E	KH16 T203/GBA4P20 *SRM		4P + E	KH16 T204/GBA5P20 *SRM	
32A	SRM	2P + E	KF32 T202/GBA3P00 *SRM		3P + E	KF32 T203/GBA4P20 *SRM		4P + E	KF32 T204/GBA5P20 *SRM	
			2 Pole (1 n.o.+1 n.c) 230 V			3 Pole (1 n.o.+1 n.c) 400 V			4 Pole (1 n.o.+1 n.c) 400 V	
16A	SRM	2P + E	KH16 T202/GBA3P11 *SRM		3P + E	KH16 T203/GBA4P11 *SRM		4P + E	KH16 T204/GBA5P11 *SRM	
32A	SRM	2P + E	KF32 T202/GBA3P11 *SRM		3P + E	KF32 T203/GBA4P11 *SRM		4P + E	KF32 T204/GBA5P11 *SRM	

DIMENSIONS



Encl. Ref.	H	W	D
SRM	264	276	164

Call: 01635 262626

or email: sales-uk@krausnaimer.com