

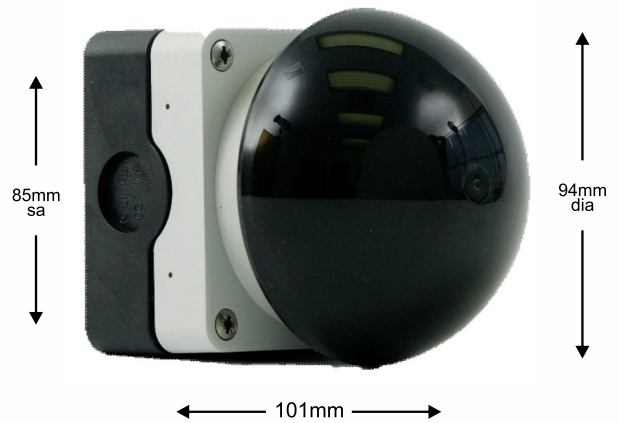


BUMP SWITCH

HANDS FREE OPERATION



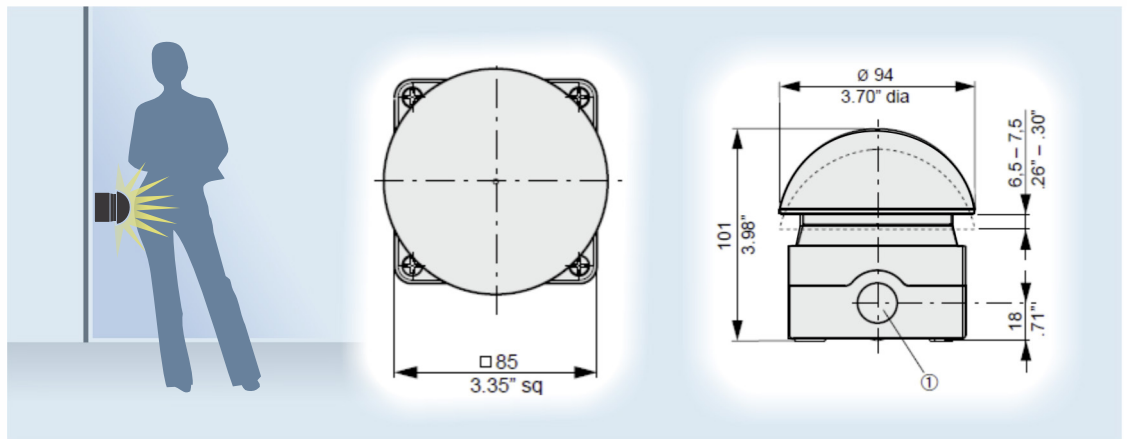
Make the switch to hands free operation with the bump switch from Kraus & Naimer. Whether it's opening doors for gurneys and trolleys in the hospital, accessing hygiene areas in food processing plants or entering secure rooms in laboratories, going hands free adds to a safer, more hygienic environment.



The highly robust bump switch can be mounted for elbow, hip, knee or foot activation and is double insulated for safety. Waterproof to IP67, and without recesses to collect food or grime to IP69k ensures hygiene criteria are met for most all applications.

Base mount contacts provide added durability and the 6A rating at 230V AC-15 are suitable for switching relays and interfacing with BMS systems. Terminals ready for up to 2.5mm cables - 1 N/O & 1 N/C.

Also available in RED/YELLOW for e-stop applications - pull to reset



General		
Standards and requirements		IEC/EN 60947, VDE 0660
Mechanical life	operations	$\times 10^6$ > 0,1
Max. operating frequency		S/h ≤ 600
Operating force		N ≤ 60
Protection acc. to IEC/EN 60529		IP 67, IP 69K
Environmental resistance		humidity, constant, acc. to IEC 60068-2-78 humidity, cyclic, acc. to IEC 60068-2-30
Ambient temperature	min./max.	$^{\circ}\text{C}$ -25/+40
Mounting position		any
Shock withstand acc. to IEC 60068-2-27		g > 15
Shock period 11 ms, 1/2 sinus wave		



Kraus & Naimer

Order Code KN79

Available via your local electrical wholesaler or contact

0800 736 522 - www.krausnaimer.com

Top Quality, Fast Delivery